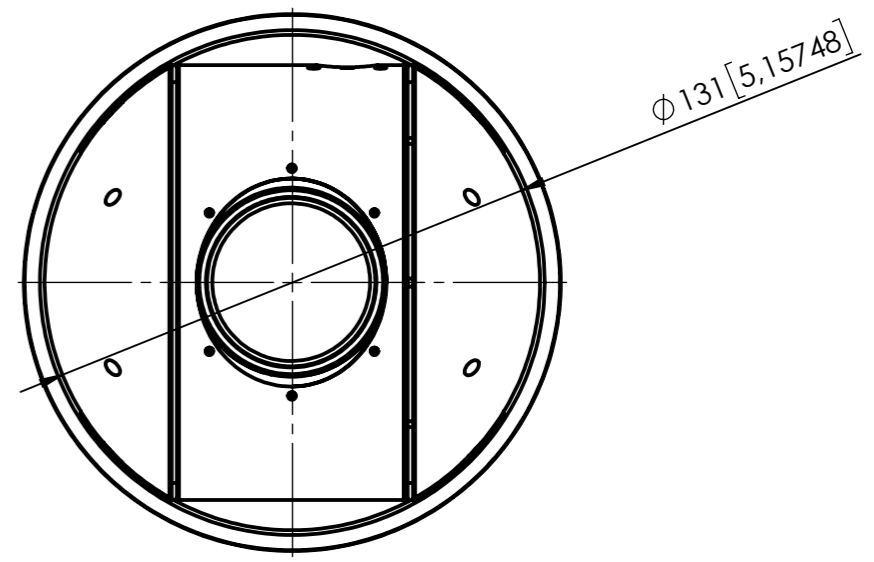
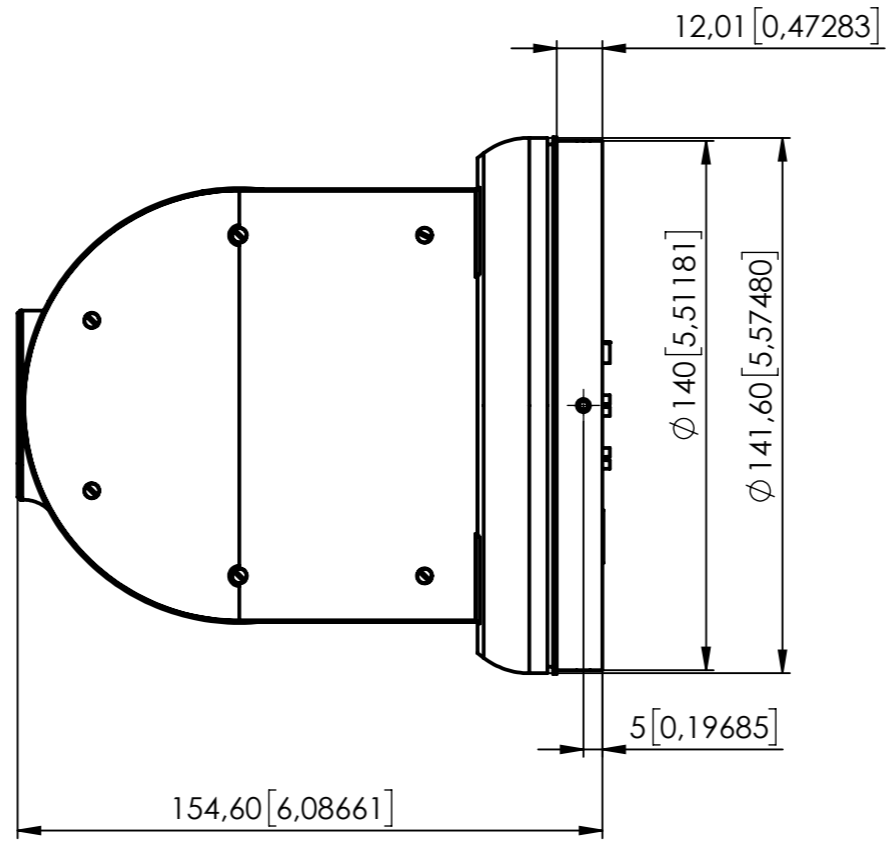
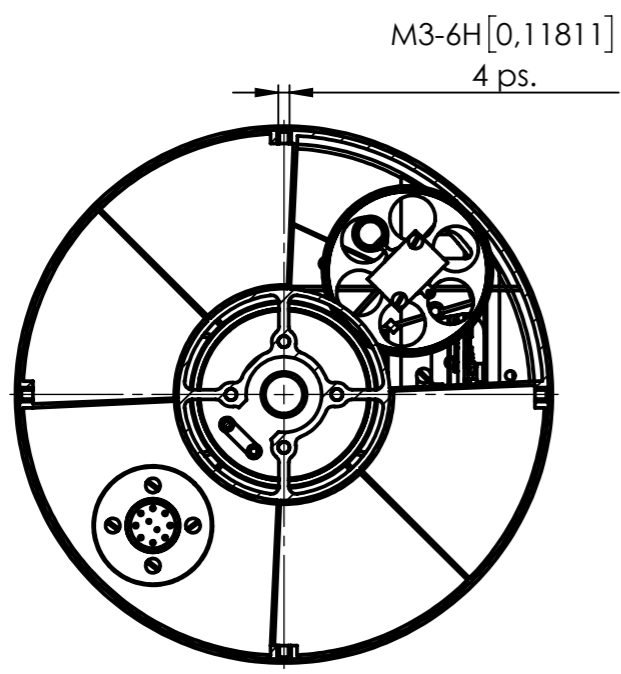


8 7 6 5 4 3 2 1

REVISIONS			
REV	DESCRIPTION	DATE	APPROVED



F
E
D
C
B
A

F
E
D
C
B
A

This drawing and any information or descriptive material set out on it are the confidential and copyright property of UAVOS © and MUST NOT BE DISCLOSED, COPIED, LOANED in whole or part or used for any purpose without the written permission of UAVOS.

APPLICATION	
NEXT ASSY	USED ON

UNLESS OTHERWISE SPECIFIED
DIM ARE IN MILLIMETERS
[DIM ARE IN INCHES]
TOL ON ANGLES ±0.5°
0 PLACE ±0.5 1 PLACE ±0.1
INTERPRET DIM AND TOL
PER ASME Y14.5M
Surface Finish: Ra3.2

THIRD ANGLE PROJECTION

DRAFTER	
CHECKER	
DEV ENGR	
CONTRACT NO.	
MATERIAL	

UAVOS Inc.
Unmanned Systems - Mountain View, CA USA

TITLE
**GYRO-STABILIZED TWO-AXIS GIMBAL
GSG-101D**

SIZE A3	CAGE CODE	DRAWING NUMBER UV01.467864.20.1	REV 10
SCALE 1:2	WEIGHT KG 1,2	SHEET 1 OF 1	

8 7 6 5 4 3 2 1