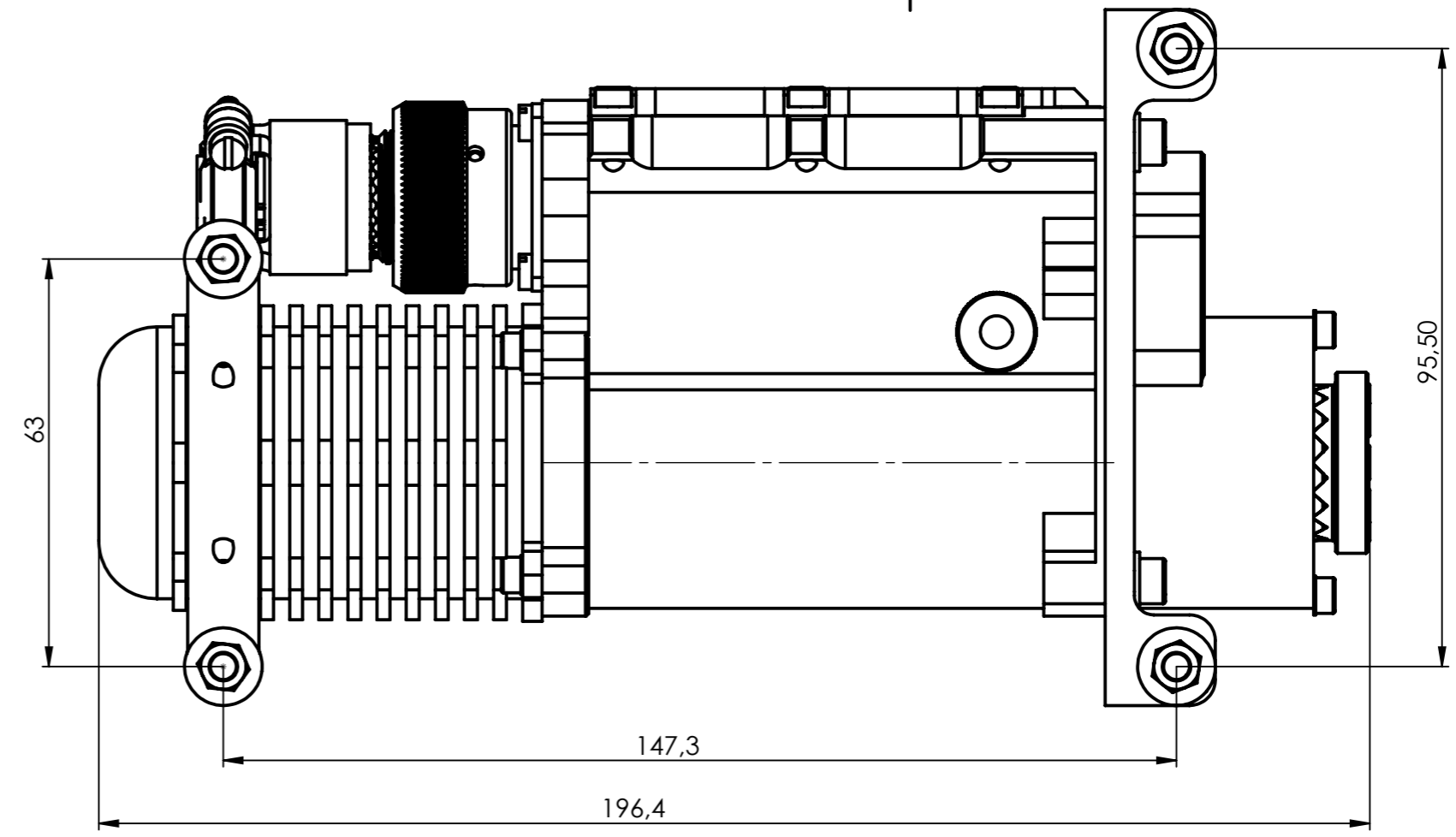
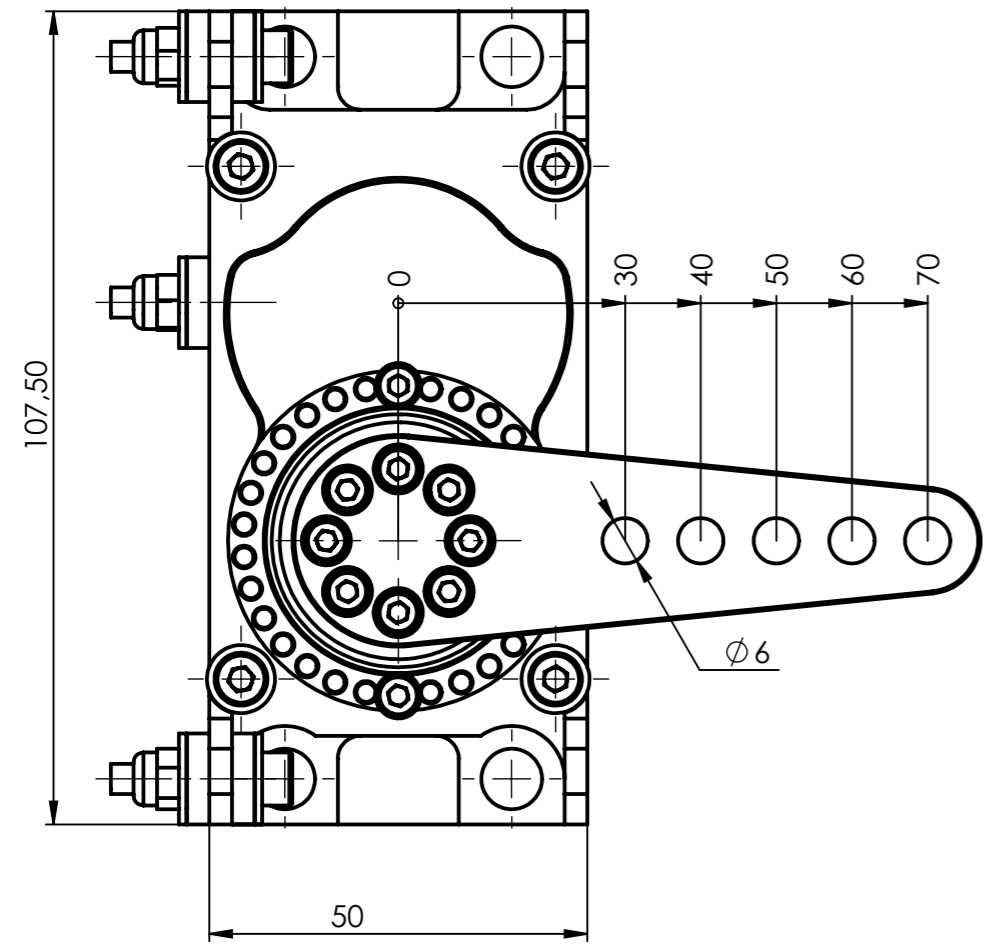


8 7 6 5 4 3 2 1

REVISIONS			
REV	DESCRIPTION	DATE	APPROVED



F  
E  
D  
C  
B  
A

F  
E  
D  
C  
B  
A

This drawing and any information or descriptive material set out on it are the confidential and copyright property of **UAVOS**® and **MUST NOT BE DISCLOSED, COPIED, LOANED** in whole or part or used for any purpose without the written permission of **UAVOS**.

APPLICATION	USED ON	NEXT ASSY

UNLESS OTHERWISE SPECIFIED  
DIM ARE IN MILLIMETERS  
[DIM ARE IN INCHES]  
TOL ON ANGLES  $\pm 0.5^\circ$   
0 PLACE  $\pm 0.5$  1 PLACE  $\pm 0.1$   
INTERPRET DIM AND TOL  
PER **ASME Y14.5M**  
Surface Finish: **Ra3.2**

THIRD ANGLE PROJECTION

DRAFTER	
CHECKER	
DEV ENGR	
CONTRACT NO.	
MATERIAL	

**UAVOS**

TITLE  
**Servo-drive SD-01B-24-120**

SIZE <b>A3</b>	CAGE CODE	DRAWING NUMBER <b>UV01.654116.10</b>	REV <b>10</b>
SCALE 1:1	WEIGHT KG 1.3	SHEET 1 OF 1	

8 7 6 5 4 3 2 1