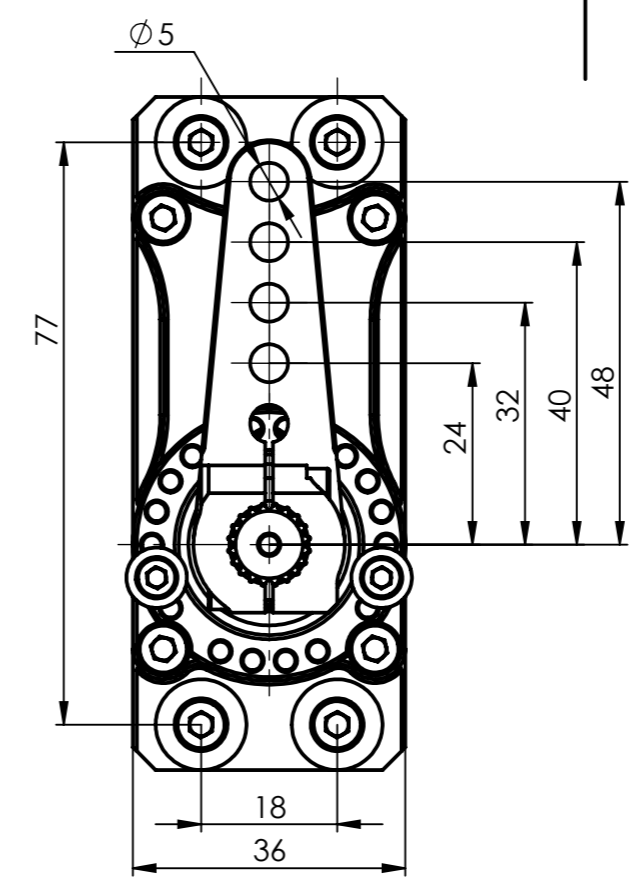
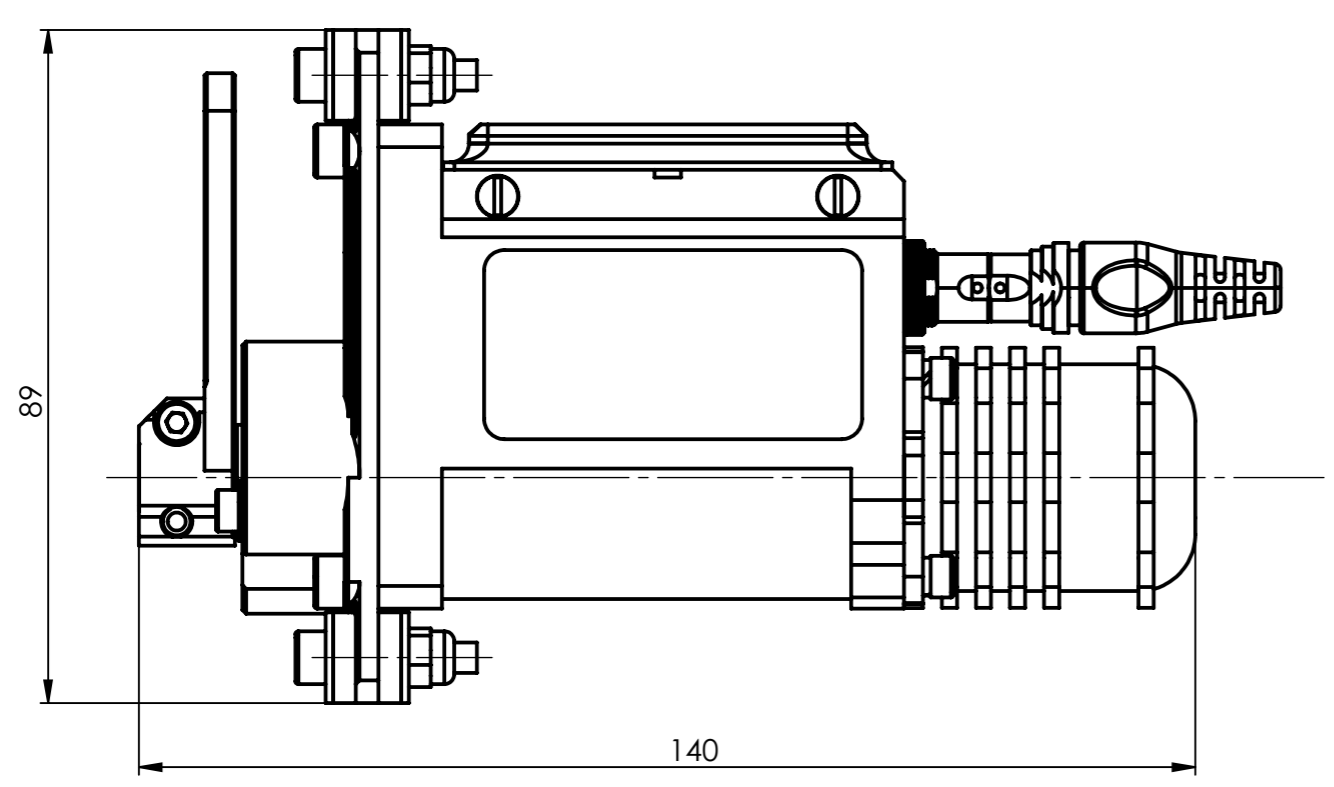


8 7 6 5 4 3 2 1

REVISIONS			
REV	DESCRIPTION	DATE	APPROVED



1. Rated voltage 24 VDC.
2. Absolute supply voltage range (min. - max.) 9-75 VDC.
3. Standby Current at rated voltage 0,12 A.
4. Rated Current at rated voltage 2,277 A.
5. Peak Current at rated voltage 3,12 A.
6. Rated Continuous Torque at rated speed 4,3 Nm.
7. Intermittent torque 5,3 Nm.
8. Peak Torque at rated voltage 6 Nm.
9. Rated Speed at rated torque 278 deg/s.


This drawing and any information or descriptive material set out on it are the confidential and copyright property of **UAVOS** and MUST NOT BE DISCLOSED, COPIED, LOANED in whole or part or used for any purpose without the written permission of **UAVOS**.

APPLICATION	
NEXT ASSY	USED ON

UNLESS OTHERWISE SPECIFIED
DIM ARE IN MILLIMETERS
[DIM ARE IN INCHES]
TOL ON ANGLES $\pm 0.5^\circ$
0 PLACE ± 0.5 1 PLACE ± 0.1
INTERPRET DIM AND TOL
PER **ASME Y14.5M**
Surface Finish: **Ra3.2**

THIRD ANGLE PROJECTION

DRAFTER	
CHECKER	
DEV ENGR	
CONTRACT NO.	
UAVOS FUNDED	
MATERIAL	



UAVOS

TITLE

Servo-drive SD-02B-24-150

SIZE A3	CAGE CODE	DRAWING NUMBER UV01.654116.30	REV 10
SCALE 1:1	WEIGHT KG 0.48	SHEET 1 OF 1	

8 7 6 5 4 3 2 1