

8

7

6

5

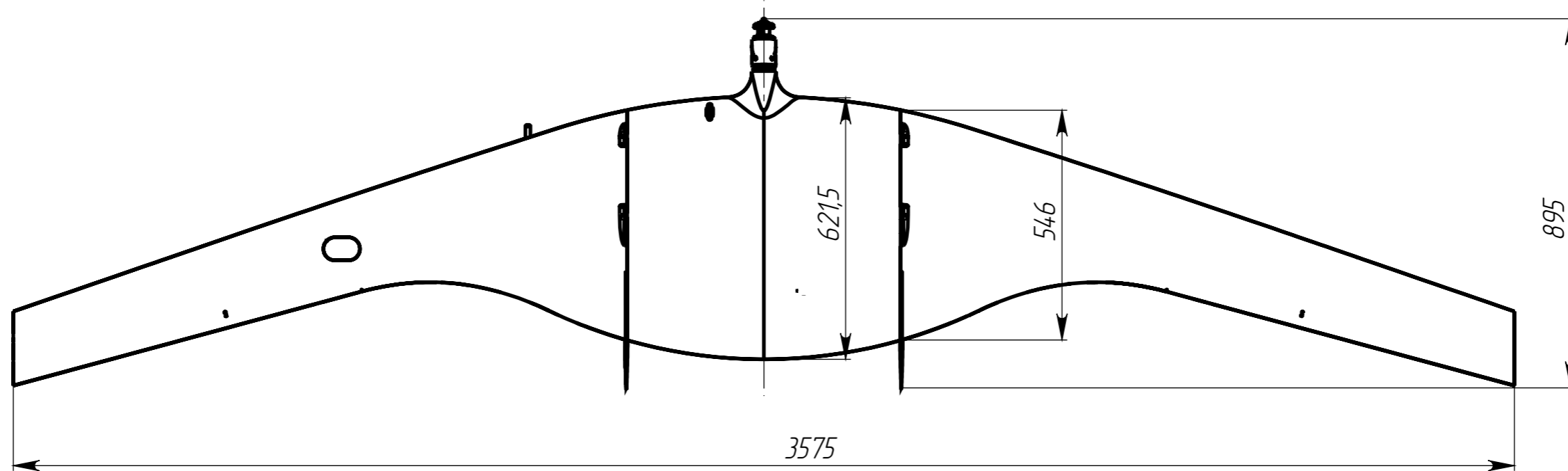
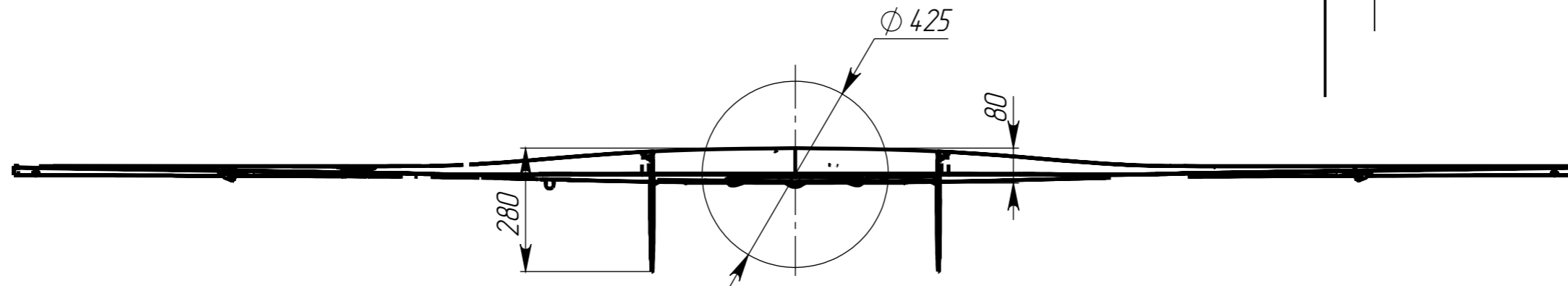
4

3

2

1

REVISIONS			
REV	DESCRIPTION	DATE	APPROVED



DRAFTER			UAVOS			
CHECKER						
DEV ENGR			TITLE BOREY 10 Fixed Wing UAV			
CONTRACT NO.			SIZE	CAGE CODE	DRAWING NUMBER	REV
MATERIAL			A3		UV01.6402.07-04.00.000	10
			SCALE 1:12.5	WEIGHT KG 12	SHEET 2 OF 2	

8

7

6

5

4

3

2

1

F

E

D

C

B

A

F

E

D

C

B

A