

8

7

6

5

4

3

2

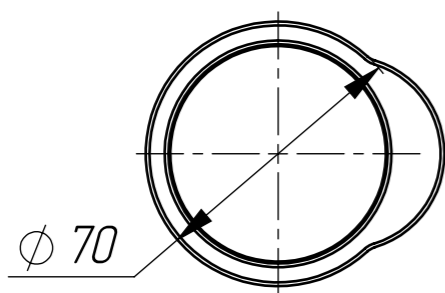
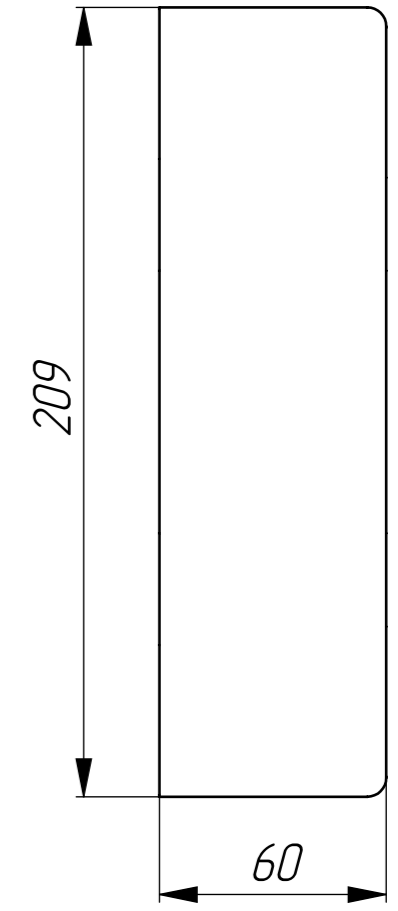
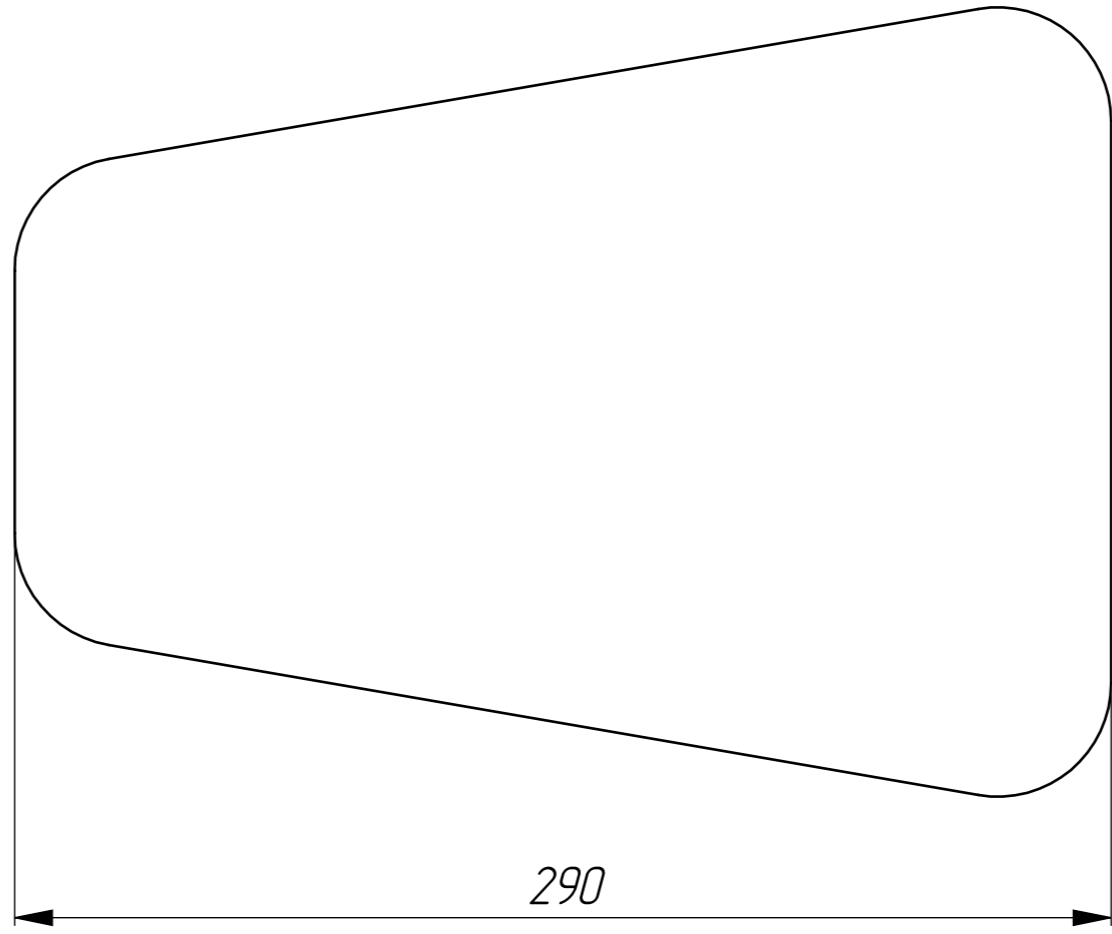
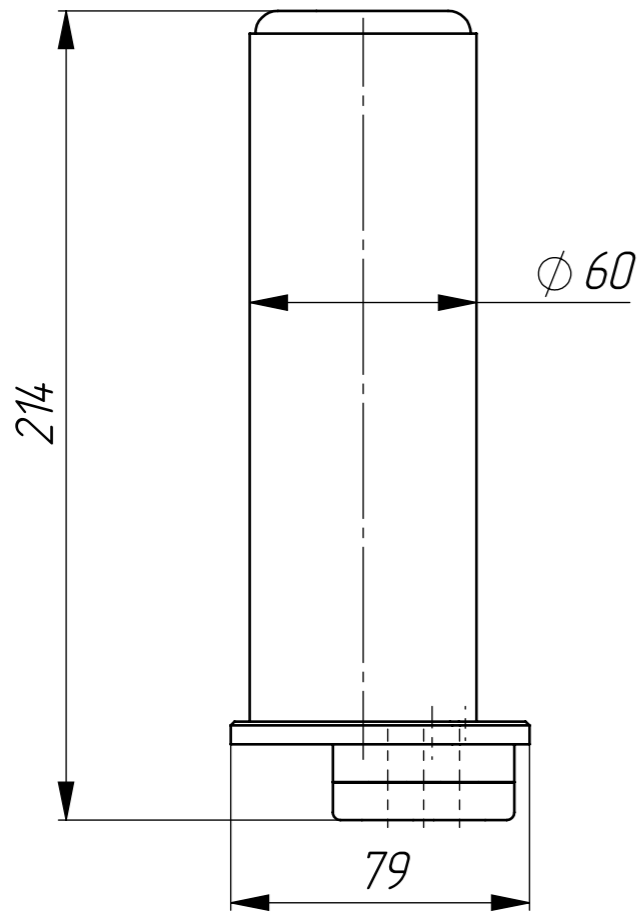
1

REVISIONS

REV	DESCRIPTION	DATE	APPROVED

Exhaust Chute Container
UV01.7921.75.20

Main Chute Container
UV01.7921.75.10



Structure ERS-75 UV01.7921.75.00

1	UV01.7921.75.10	Main Chute Container
2	UV01.7921.75.20	Exhaust Chute Container

This drawing and any information or descriptive material set out on it are the confidential and copyright property of **UAVOS** and MUST NOT BE DISCLOSED, COPIED, LOANED in whole or part or used for any purpose without the written permission of **UAVOS**.

APPLICATION	USED ON	NEXT ASSY

UNLESS OTHERWISE SPECIFIED
DIM ARE IN MILLIMETERS
[DIM ARE IN INCHES]
TOL ON ANGLES $\pm 0.5^\circ$
0 PLACE ± 0.5 1 PLACE ± 0.1
INTERPRET DIM AND TOL
PER **ASME Y14.5M**
Surface Finish: **Ra3.2**

THIRD ANGLE PROJECTION

DRAFTER	
CHECKER	
DEV ENGR	
CONTRACT NO.	
MATERIAL	

UAVOS

TITLE
Emergency rescue ERS-75

SIZE A3	CAGE CODE	DRAWING NUMBER UV01.7921.75.00	REV 10
SCALE 1:2	WEIGHT KG 3.2	SHEET 1 OF 1	

8

7

6

5

4

3

2

1

F

E

D

C

B

A

F

E

D

C

B

A