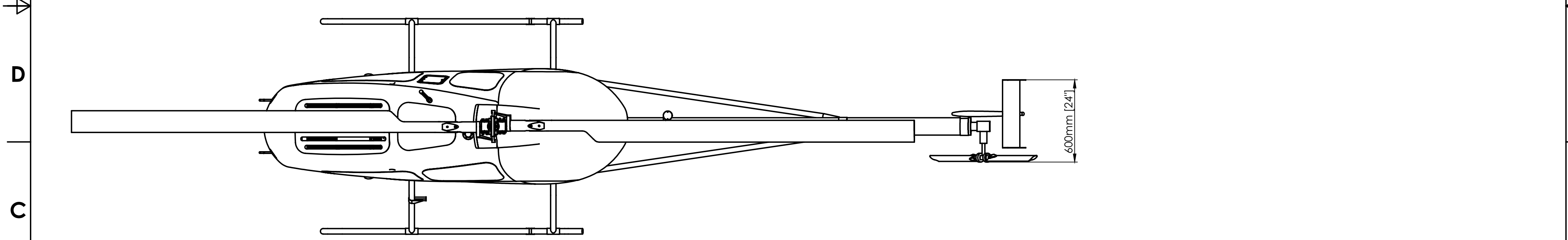
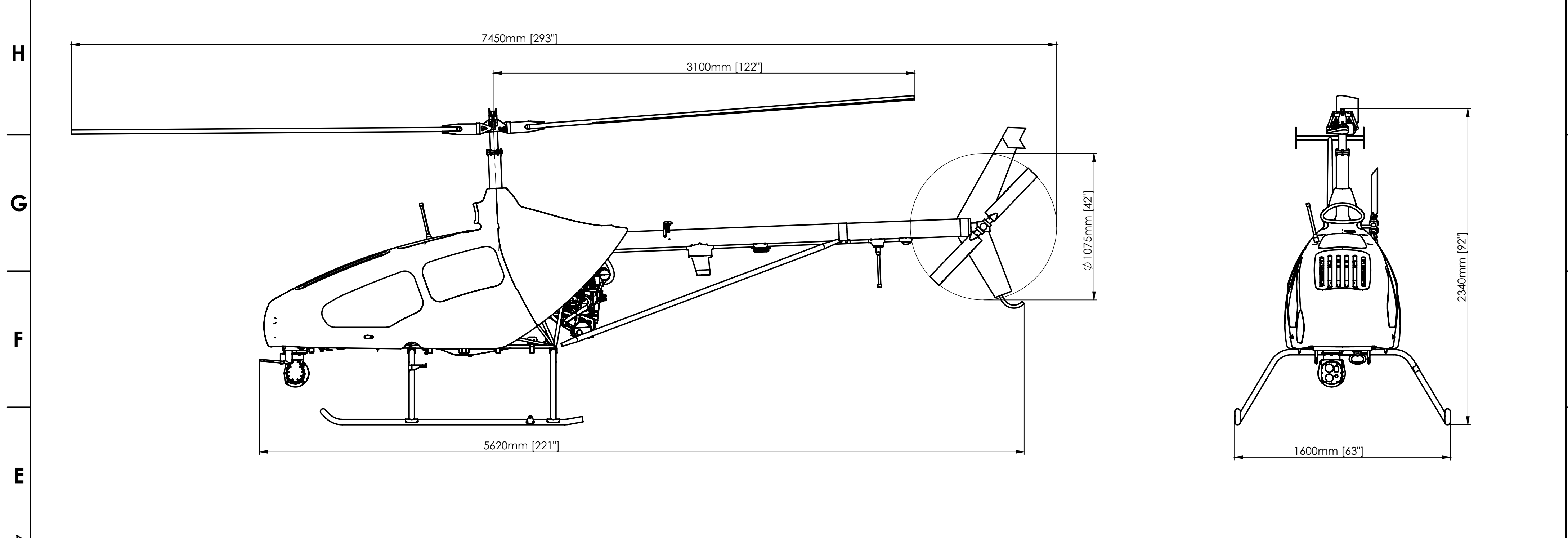


12 11 10 9 8 7 6 5 4 3 2 1

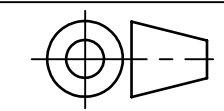


H
G
F
E
D
C
B
A


This drawing and any information or descriptive material set out on it are the confidential and copyright property of **UAVOS**.
MUST NOT BE DISCLOSED, COPIED, LOANED in whole or part or used for any purpose without the written permission of **UAVOS**.

NEXT ASSY	USED ON
APPLICATION	

UNLESS OTHERWISE SPECIFIED
DIM ARE IN MILLIMETERS
[DIM ARE IN INCHES]
TOL ON ANGLES $\pm 0.5^\circ$
0 PLACE ± 0.5 PLACE ± 0.1
INTERPRET DIM AND TOL
ASME Y14.5M
Surface Finish:
THIRD ANGLE PROJECTION



DRAFTER	
CHECKER	
DEV ENGR	
CONTRACT NO.	UAVOS FUNDED
MATERIAL	

 UAVOS		UAVOS TITLE UVH-150	
SCALE 1:20	WEIGHT KG	SHEET	OF

12 11 10 9 8 7 6 5 4 3 2 1