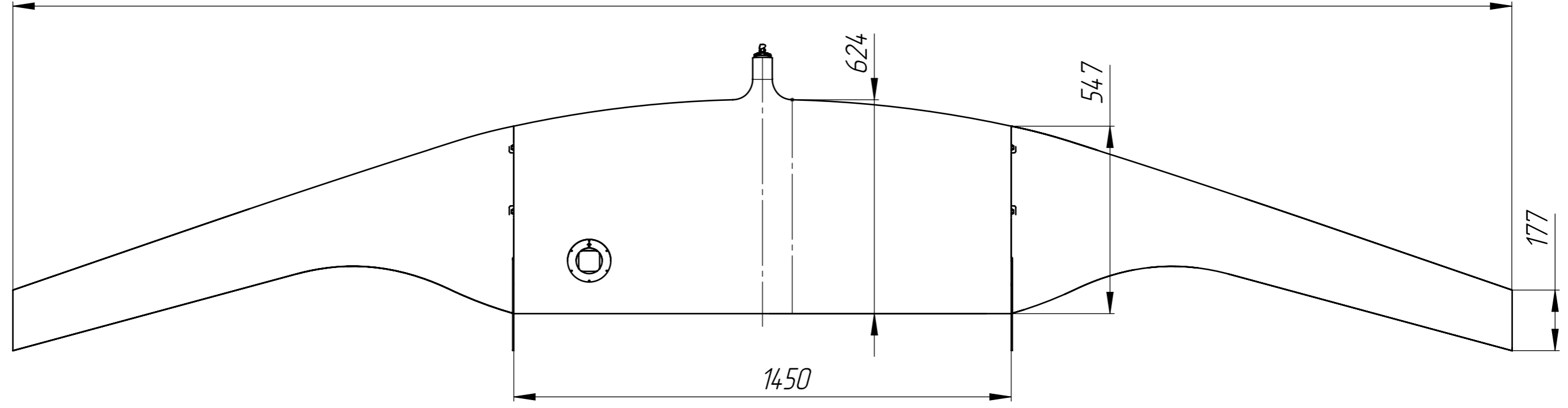
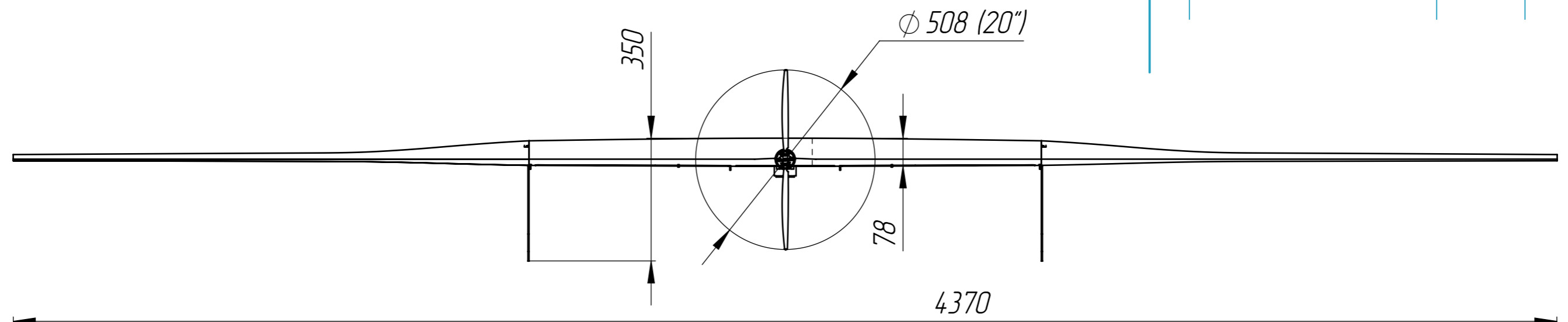


REVISIONS			
REV	DESCRIPTION	DATE	APPROVED



This drawing and any information or descriptive material set out on it are the confidential and copyright property of **UAVOS**® and MUST NOT BE DISCLOSED, COPIED, LOANED in whole or part or used for any purpose without the written permission of **UAVOS**.

NEXT ASSY	USED ON
APPLICATION	

UNLESS OTHERWISE SPECIFIED  
 DIM ARE IN MILLIMETERS  
 [DIM ARE IN INCHES]  
 TOL ON ANGLES  $\pm 0.5^\circ$   
 0 PLACE  $\pm 0.5$  1 PLACE  $\pm 0.1$   
 INTERPRET DIM AND TOL  
 PER **ASME Y14.5M**  
 Surface Finish: **Ra3.2**

THIRD ANGLE PROJECTION

DRAFTER	
CHECKER	
DEV ENGR	
CONTRACT NO.	
UAVOS FUNDED	
MATERIAL	

**UAVOS**

TITLE  
**BOREY 20 Fixed Wing UAV**

SIZE <b>A3</b>	CAGE CODE	DRAWING NUMBER <b>UV01.6402.11</b>	REV <b>10</b>
SCALE <b>1:12.5</b>	WEIGHT KG <b>25</b>	SHEET <b>1</b>	OF <b>1</b>