

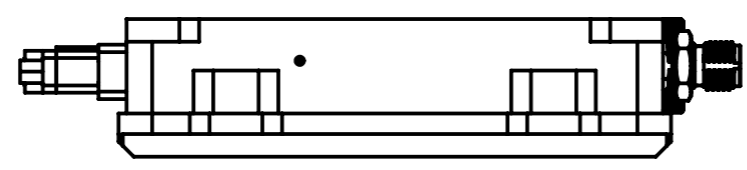
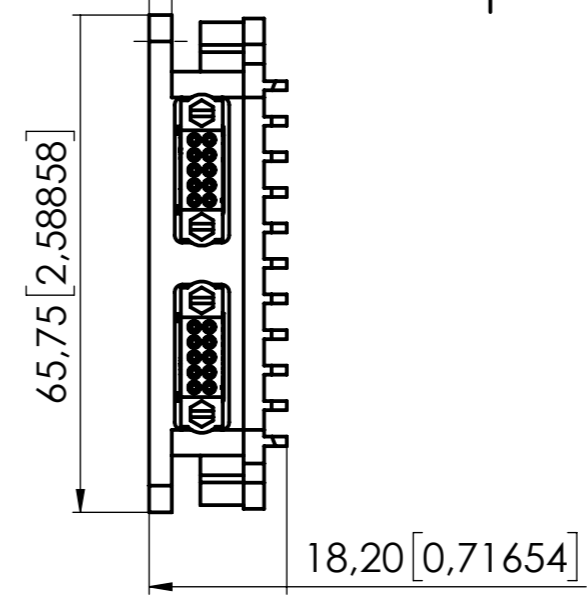
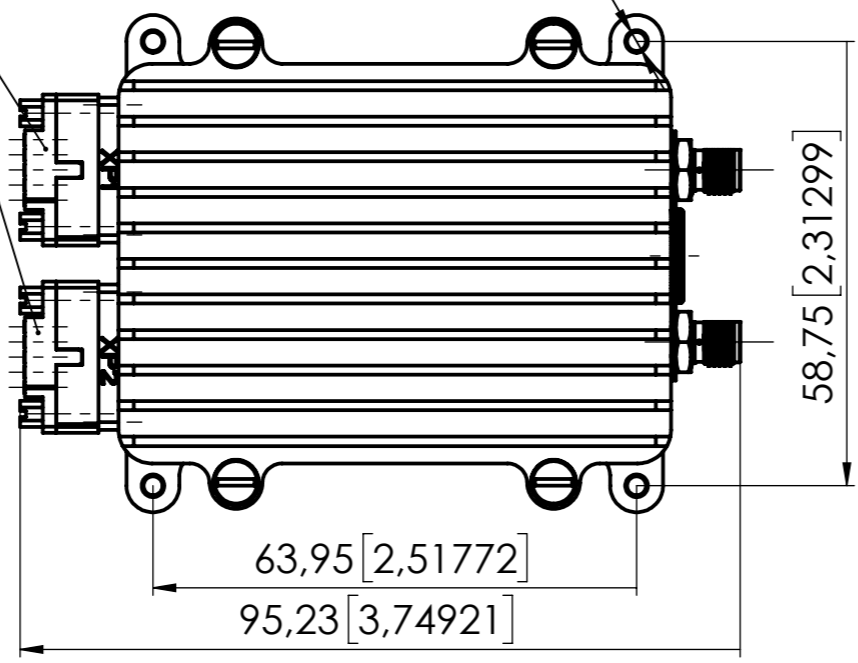
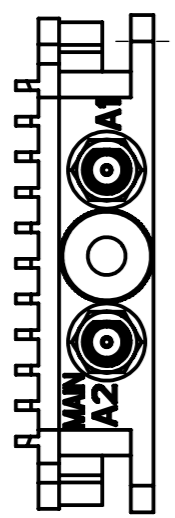
8 7 6 5 4 3 2 1

REVISIONS			
REV	DESCRIPTION	DATE	APPROVED

Harwin M80-4611005 Socket

M3 [0,11811] -6H  
4 pc.

3 [0,11811]



Technical information:  
 1. Operating temperature from -40 to +50°C;  
 2. Power supply - from 7 to 24VDC;  
 3. Power consumption max - 7W.

This drawing and any information or descriptive material set out on it are the confidential and copyright property of UAVOS® and MUST NOT BE DISCLOSED, COPIED, LOANED in whole or part or used for any purpose without the written permission of UAVOS.

NEXT ASSY	USED ON
APPLICATION	

UNLESS OTHERWISE SPECIFIED  
 DIM ARE IN MILLIMETERS  
 [DIM ARE IN INCHES]  
 TOL ON ANGLES ±0.5°  
 0 PLACE ±0.5 1 PLACE ±0.1  
 INTERPRET DIM AND TOL  
 PER ASME Y14.5M  
 Surface Finish: Ra3.2

THIRD ANGLE PROJECTION

DRAFTER	
CHECKER	
DEV ENGR	
CONTRACT NO.	
UAVOS FUNDED	
MATERIAL	

**UAVOS**

TITLE  
**Data link**

SIZE <b>A3</b>	CAGE CODE	DRAWING NUMBER <b>UV01.431329.16.00</b>	REV <b>10</b>
SCALE <b>1:1</b>	WEIGHT KG <b>0.06</b>	SHEET <b>1 OF 1</b>	

8 7 6 5 4 3 2 1