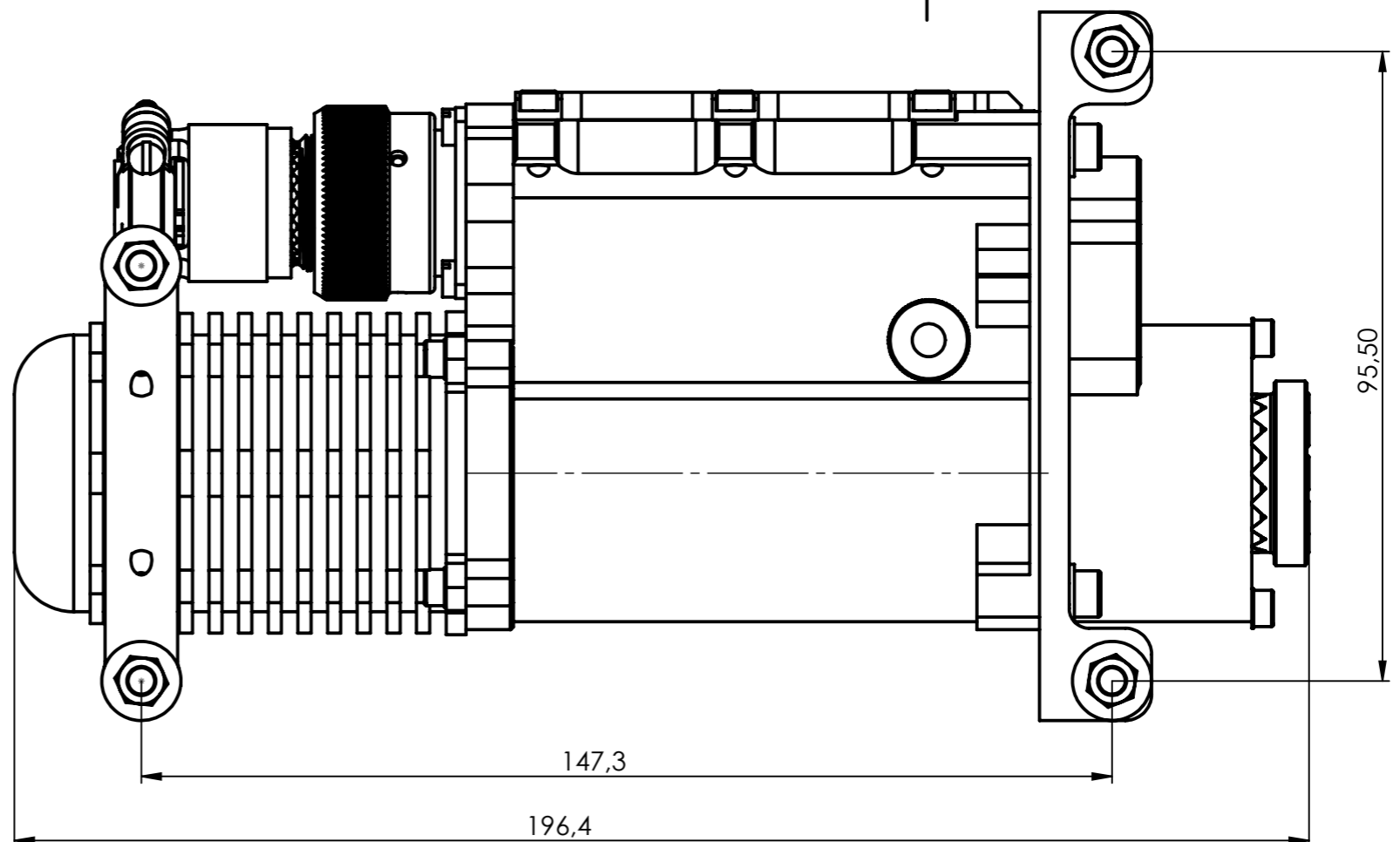
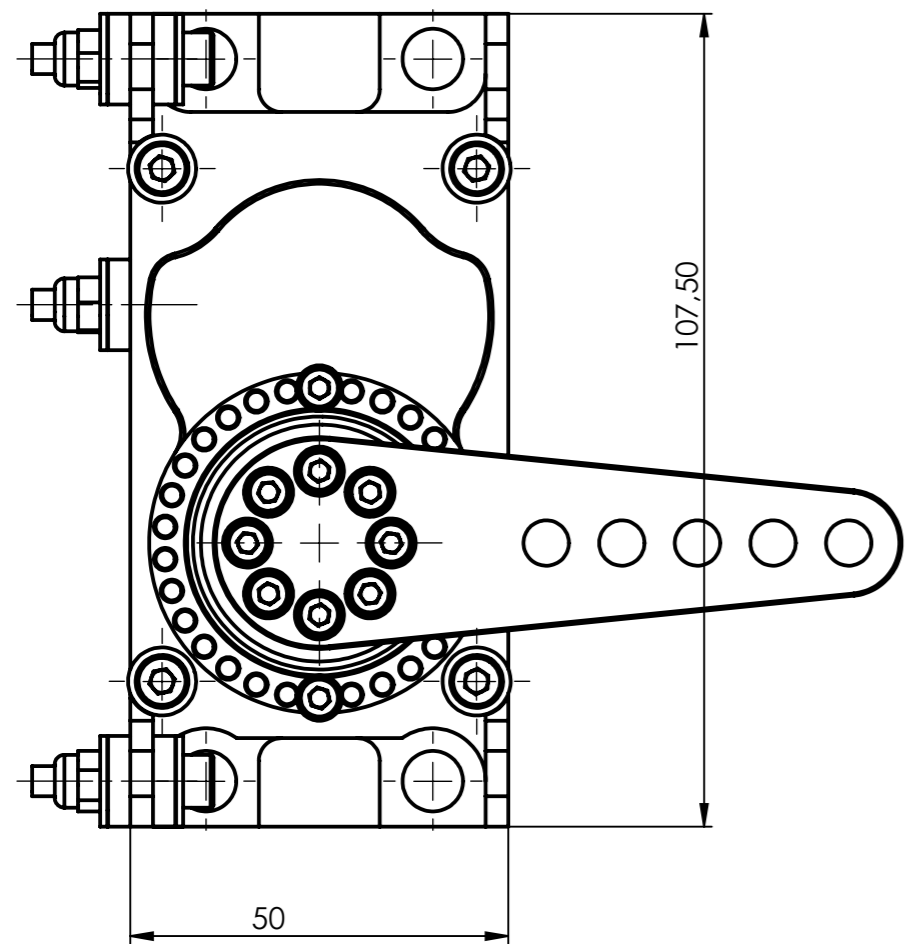


8 7 6 5 4 3 2 1

REVISIONS			
REV	DESCRIPTION	DATE	APPROVED

F
E
D
C
B
A

F
E
D
C
B
A



This drawing and any information or descriptive material set out on it are the confidential and copyright property of **UAVOS**® and **MUST NOT BE DISCLOSED, COPIED, LOANED** in whole or part or used for any purpose without the written permission of **UAVOS**.

APPLICATION	USED ON	NEXT ASSY

UNLESS OTHERWISE SPECIFIED
DIM ARE IN MILLIMETERS
[DIM ARE IN INCHES]
TOL ON ANGLES $\pm 0.5^\circ$
0 PLACE ± 0.5 1 PLACE ± 0.1
INTERPRET DIM AND TOL
PER **ASME Y14.5M**
Surface Finish: **Ra3.2**

THIRD ANGLE PROJECTION

DRAFTER	
CHECKER	
DEV ENGR	
CONTRACT NO.	
MATERIAL	

UAVOS

TITLE
Servo-drive SD-01-108

SIZE A3	CAGE CODE	DRAWING NUMBER UV01.654116.10	REV 10
SCALE 1:1	WEIGHT KG 1.3	SHEET 1 OF 1	

8 7 6 5 4 3 2 1