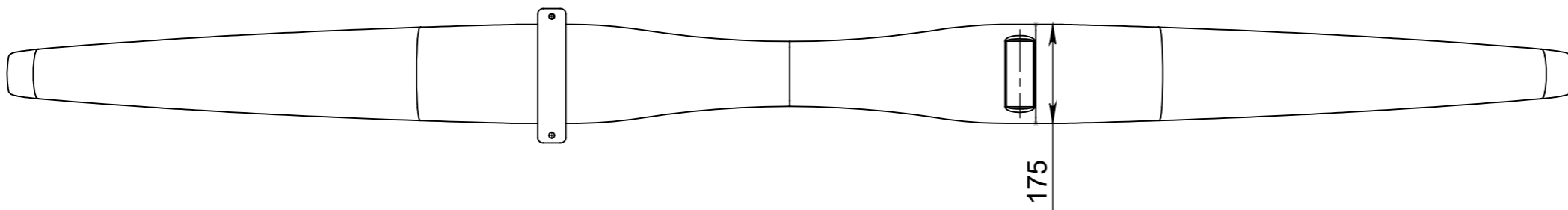
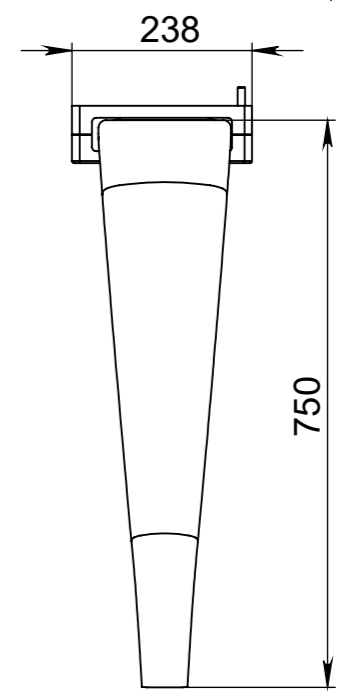
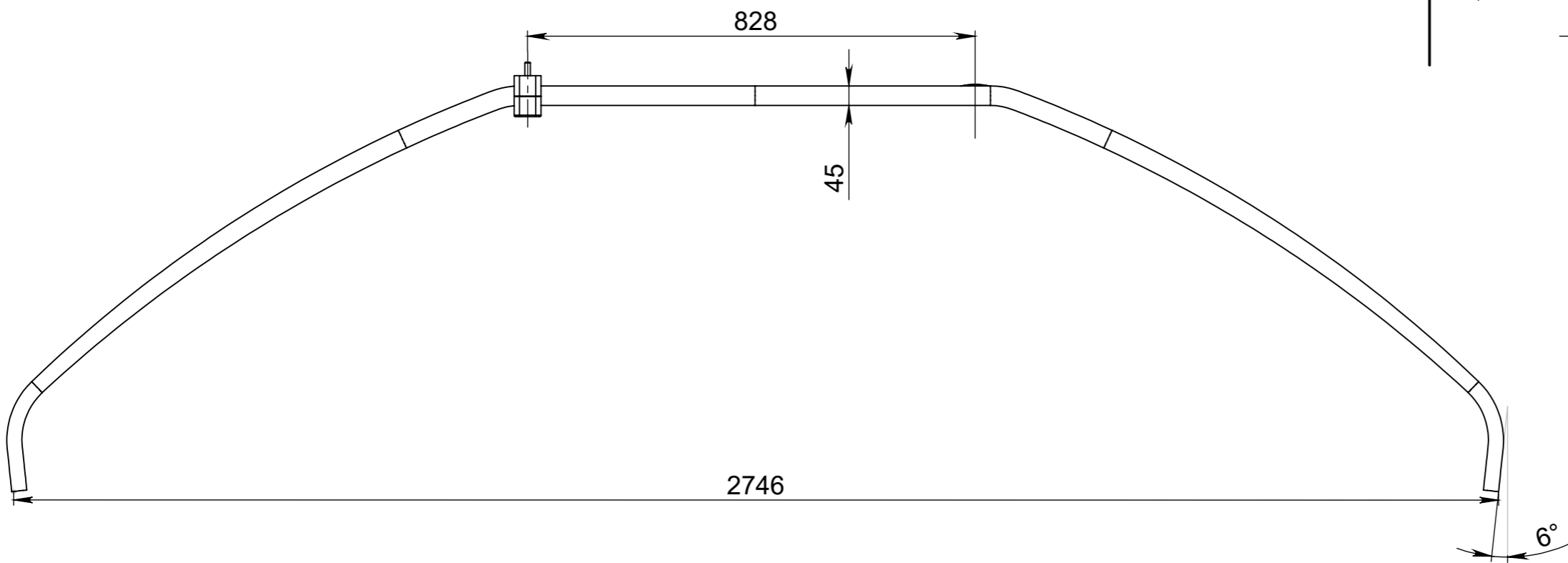


REVISIONS			
REV	DESCRIPTION	DATE	APPROVED



This drawing and any information or descriptive material set out on it are the confidential and copyright property of **UAVOS**® and **MUST NOT BE DISCLOSED, COPIED, LOANED** in whole or part or used for any purpose without the written permission of **UAVOS**.

APPLICATION	USED ON	NEXT ASSY

UNLESS OTHERWISE SPECIFIED  
 DIM ARE IN MILLIMETERS  
 [DIM ARE IN INCHES]  
 TOL ON ANGLES  $\pm 0.5^\circ$   
 0 PLACE  $\pm 0.5$  1 PLACE  $\pm 0.1$   
 INTERPRET DIM AND TOL  
 PER **ASME Y14.5M**  
 Surface Finish: **Ra3.2**

THIRD ANGLE PROJECTION

DRAFTER	
CHECKER	
DEV ENGR	
CONTRACT NO.	
MATERIAL	

**UAVOS Inc.**

**Spring Leg**

SIZE	CAGE CODE	DRAWING NUMBER	REV
<b>A3</b>		<b>UV01.S14.4101.03</b>	<b>10</b>
SCALE	WEIGHT KG	SHEET	1 OF 1
1:10	19	1	1

